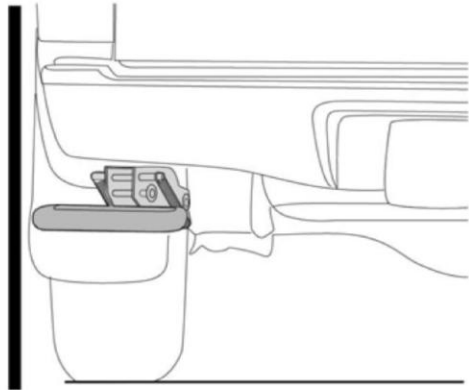
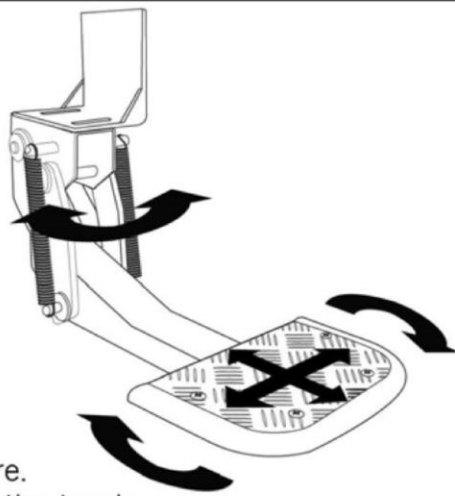
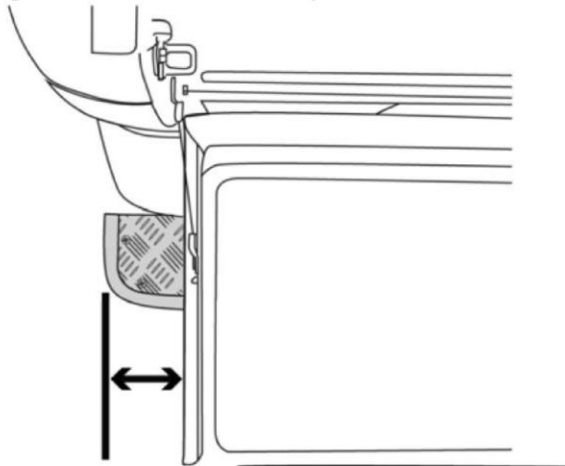


## Adjustment

**1. Retracted position** - make sure.  
The step not access the side of the truck.



**2. Deployed position** -make sure the side-angle movement is  
enough to give access to the step even with the tailgate down.

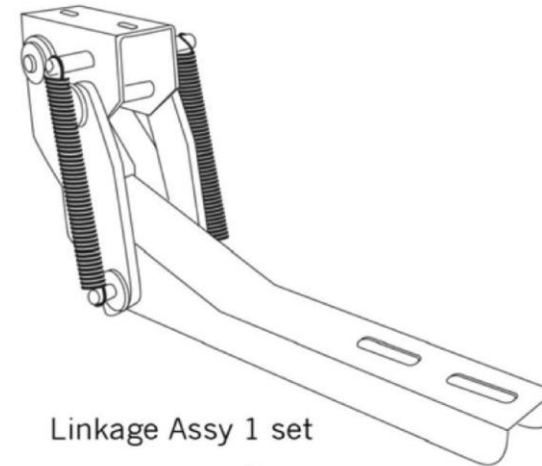


## Installation Guide

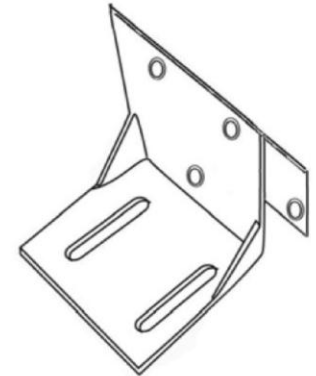


### Model : COLORADO

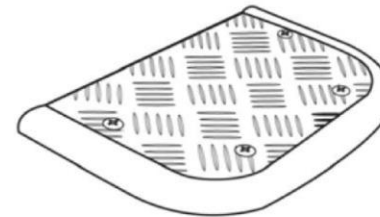
#### Part List



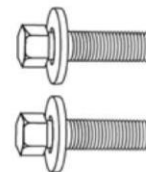
Linkage Assy 1 set



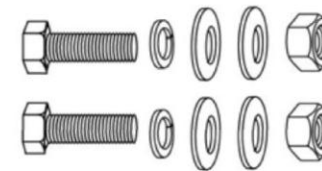
Mounting bracket 1 pc



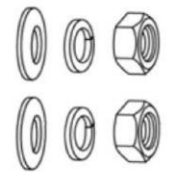
Top plate 1 pc



Bolt M 12x60 ,  
washer  
2 sets

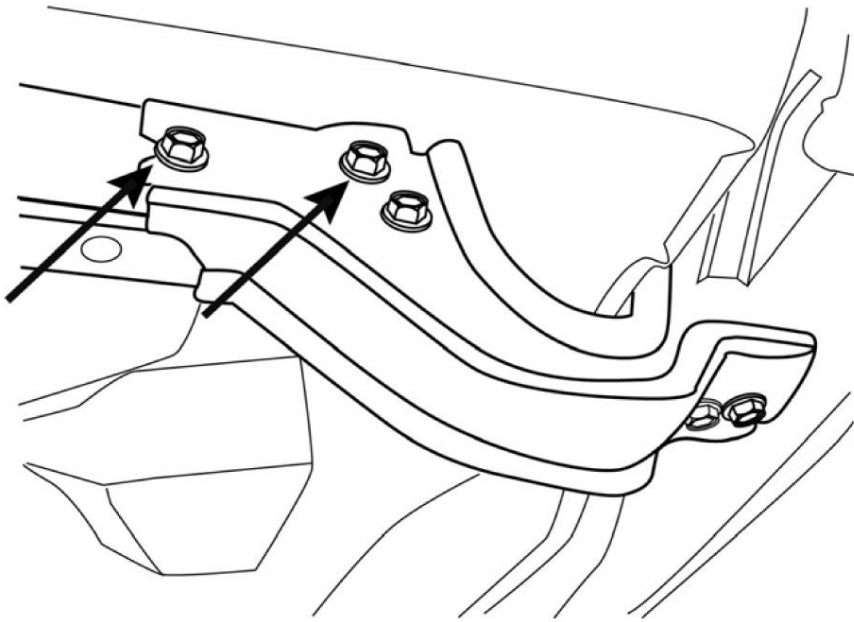


Bolt M 10x30, washer(2),  
spring washer, nut  
2 sets

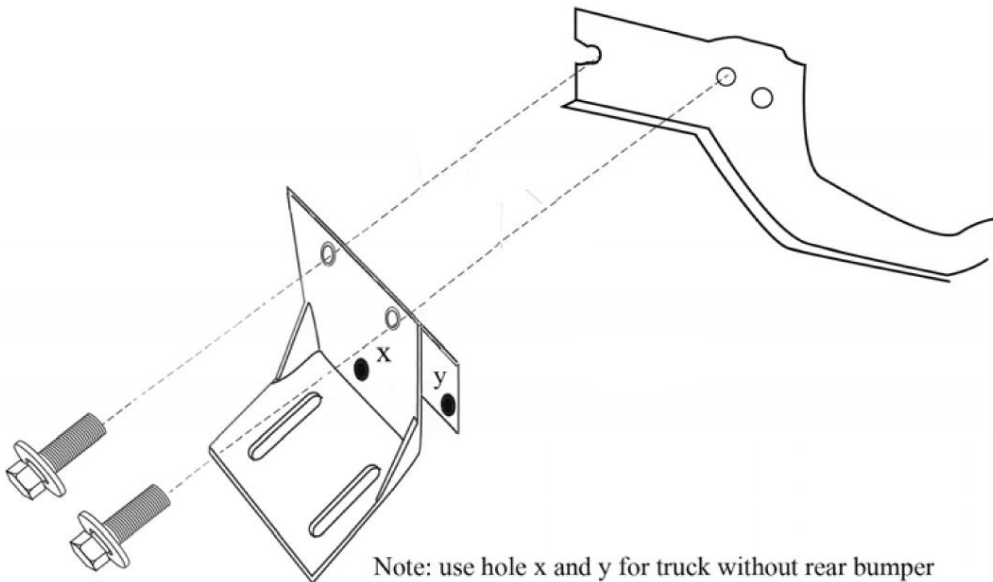


Nut M 10 , spring washer,  
washer  
2 sets

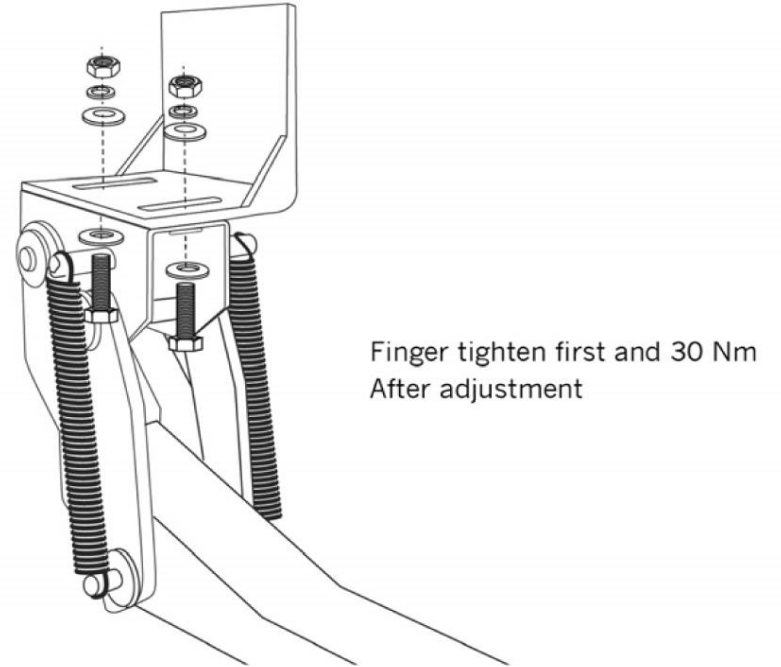
1. Locate rear bumper attachment and remove the bolts



2. Attach mounting bracket ( use bolt M 10x60, washer)



3. Install linkage assy (use bolt M10x30, washer, spring washer, nut)



4. Install step (use nut M10, washer, spring washer)

