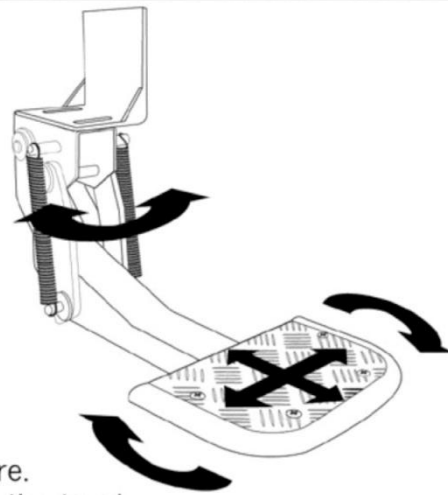
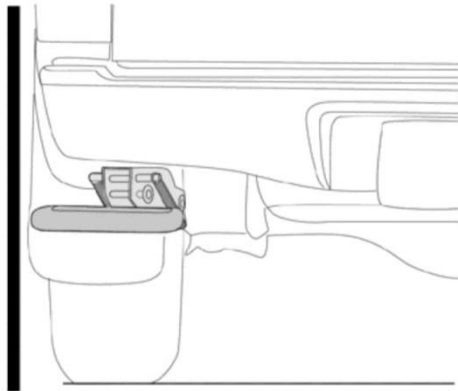


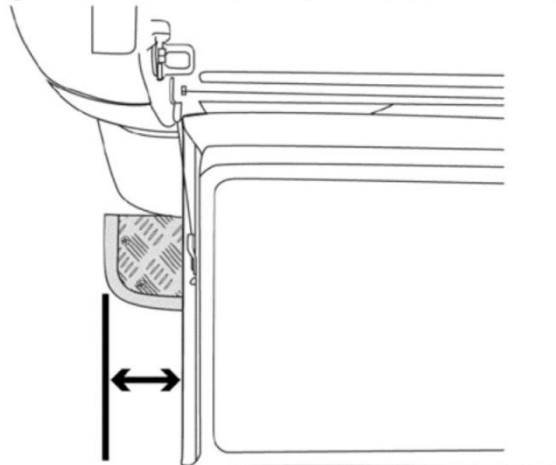
Adjustment



- 1. Retracted position** - make sure.
The step not access the side of the truck.



- 2. Deployed position** -make sure the side-angle movement is enough to give access to the step even with the tailgate down.

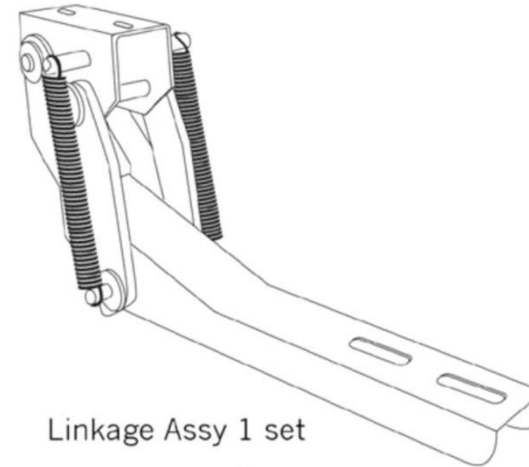


Installation Guide

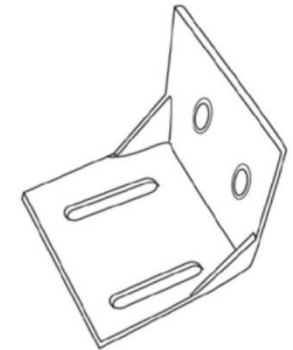


Model : NISSAN NP300

Part List



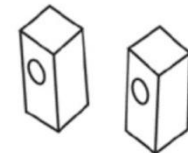
Linkage Assy 1 set



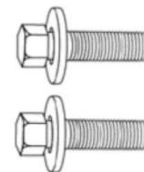
Mounting bracket 1 pc



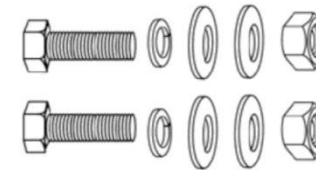
Top plate 1 pc



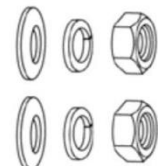
Spacer 2 pcs



Bolt M 12x60 ,
washer
2 sets

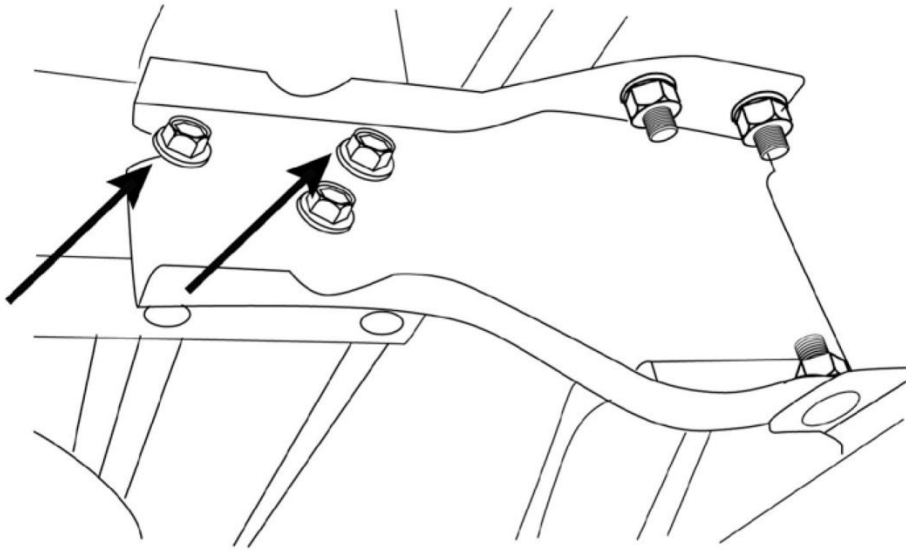


Bolt M 10x30, washer(2),
spring washer, nut
2 sets

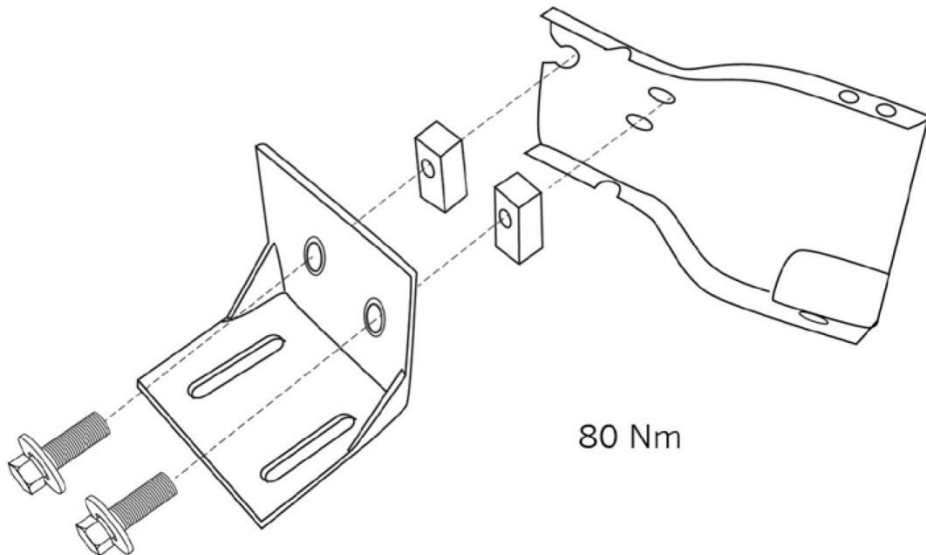


Nut M 10 , spring washer,
washer
2 sets

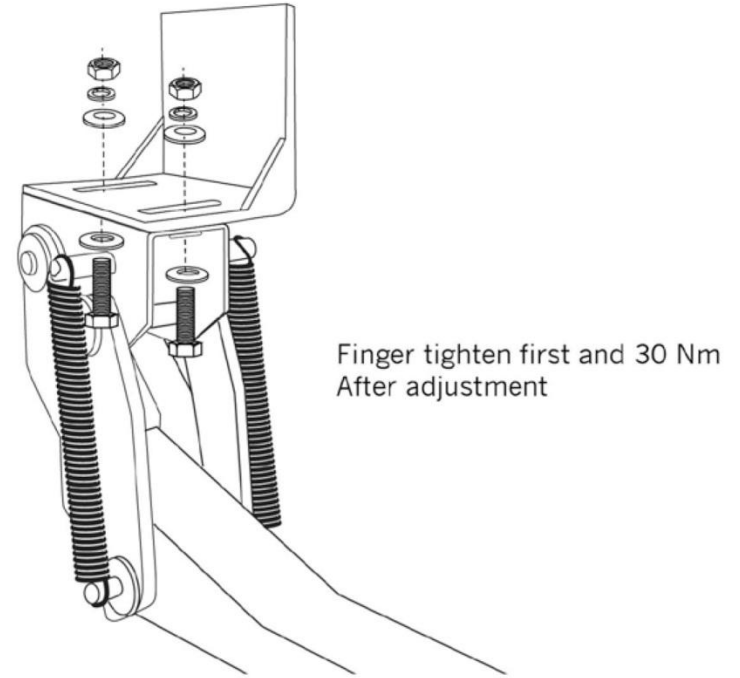
1. Locate rear bumper attachment and remove the bolts



2. Attach mounting bracket (use bolt M 10x60, washer)



3. Install linkage assy (use bolt M10x30, washer, spring washer, nut)



4. Install step (use nut M10, washer, spring washer)

